



EBARA



ISO 9001 : 2000
Lic. No. QEC22090



LPD8001

VERTICAL IN-LINE CENTRIFUGAL PUMPS

Model **LPDA**

50 Hz



APPLICATIONS



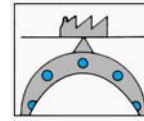
Water Supply

- Boosting pump system
- High-rise building



Water Circulation

- Circulating of water in heating and cooling



Industrial Use

- Liquid transfer

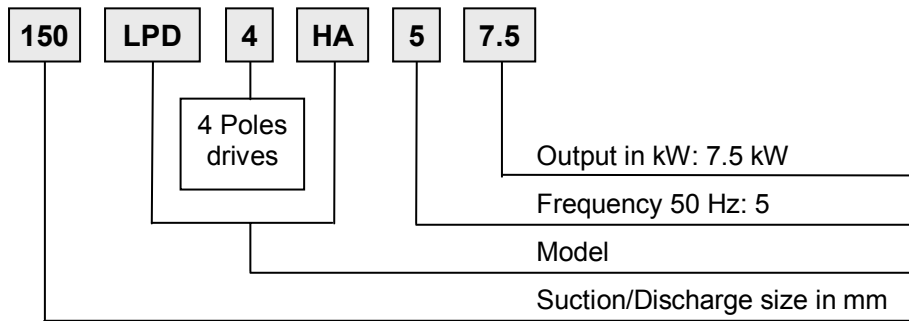
FEATURES

1. Compact and lightweight.
2. Easy removal and maintenance, BPO (Back pull out) system allows all rotating elements to be removed without disconnecting suction and discharge pipe work.
3. Suction and discharge flanges being of the same diameter and arranged opposite each other can be directly mounted into the pipe work.
4. Non-overload design to ensure stable performance for all applications.
5. Wide range application with flow capacity up to 10 m³/min.
6. Higher working pressure up to 16 bars.

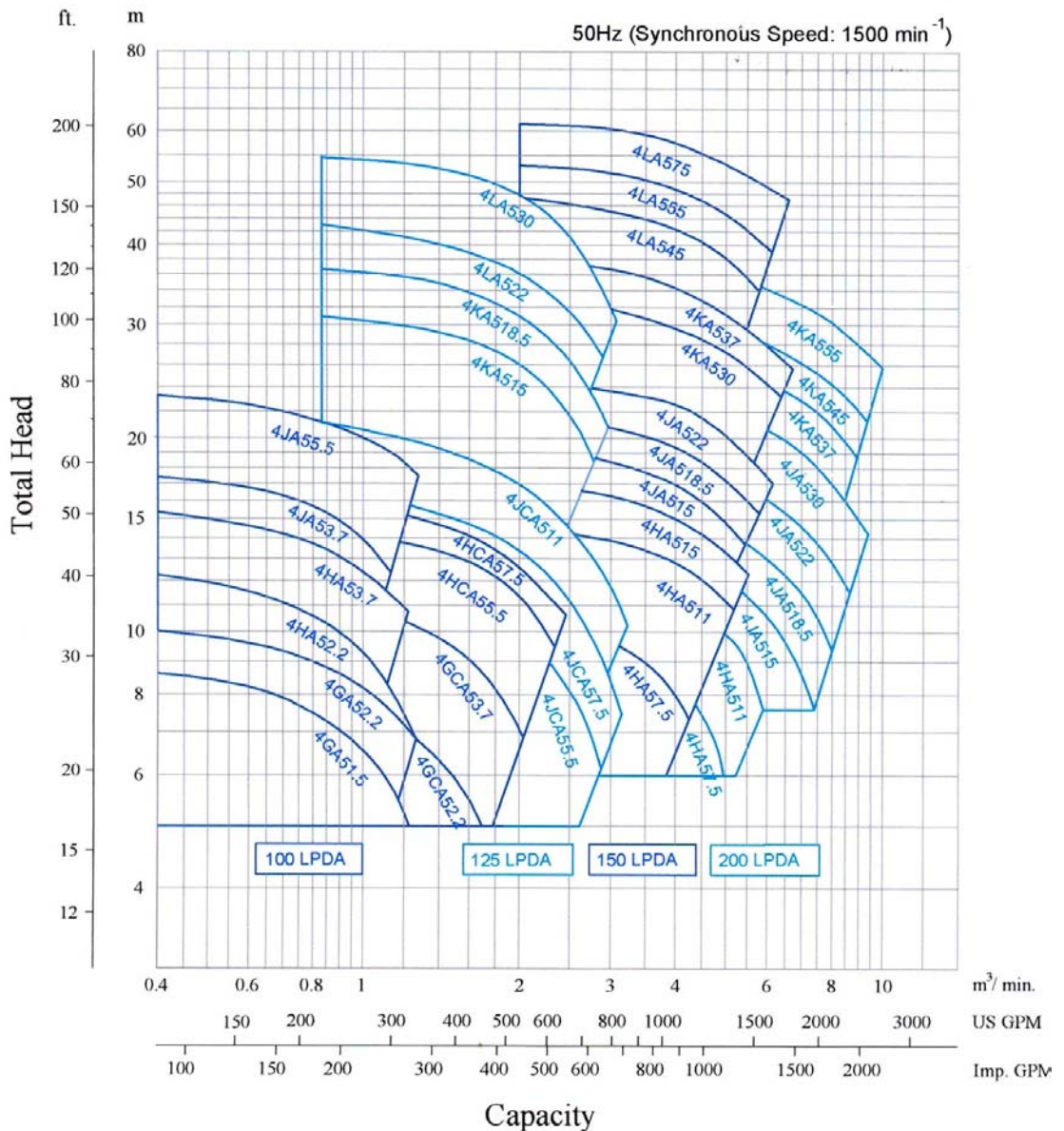
SPECIFICATIONS

Description		Standard	Option
Liquid handled	Type of Liquid	Fresh Water	
	Temperature	0 ~ 100 °C	
Max. Positive suction pressure		10 bar	16 bar
Max. Discharge pressure		16 bar	20 bar
Approximation speed		1450 min ⁻¹	1750 min ⁻¹
Location		Indoor / Outdoor	
Covering Range	Suction Dia.	100 to 200 mm	
	Flow rate	24 to 600 m ³ /h	
	Power	1.5 to 75 kW	
Construction	Pump Type	Inline	
	Casing split	Vertical back pull out	
	Impeller	Enclosed	
	Shaft seal	Mechanical Seal	
	Shaft	Stub Shaft	
	Sealing	Self flushing	External flushing
Material	Casing	Cast Iron	Ductile cast iron; Bronze
	Impeller	Bronze	
	Shaft	SUS 304 stainless steel	
	Mech. Seal	Ceramic/Carbon	SiC/Carbon; SiC/SiC
	Motor Casing	Aluminum	Cast Iron
Flanges	Suction	DIN PN-16	JIS 16 KRF; ANSI 250
	Discharge	DIN PN-16	JIS 16 KRF; ANSI 250
Motor	Type	IEC Standard, Flange Mounted type	NEMA Standard, Flange Mounted type
	No. of pole	4	
	Synchr. Speed	1500 min ⁻¹	1800 min ⁻¹
	Insulation class	F	
	Protection	IP 54 / IP 55	
	Volt/ Phase/ Hz	380V / 3 Phase / 50 Hz	440V / 3 Phase / 60 Hz

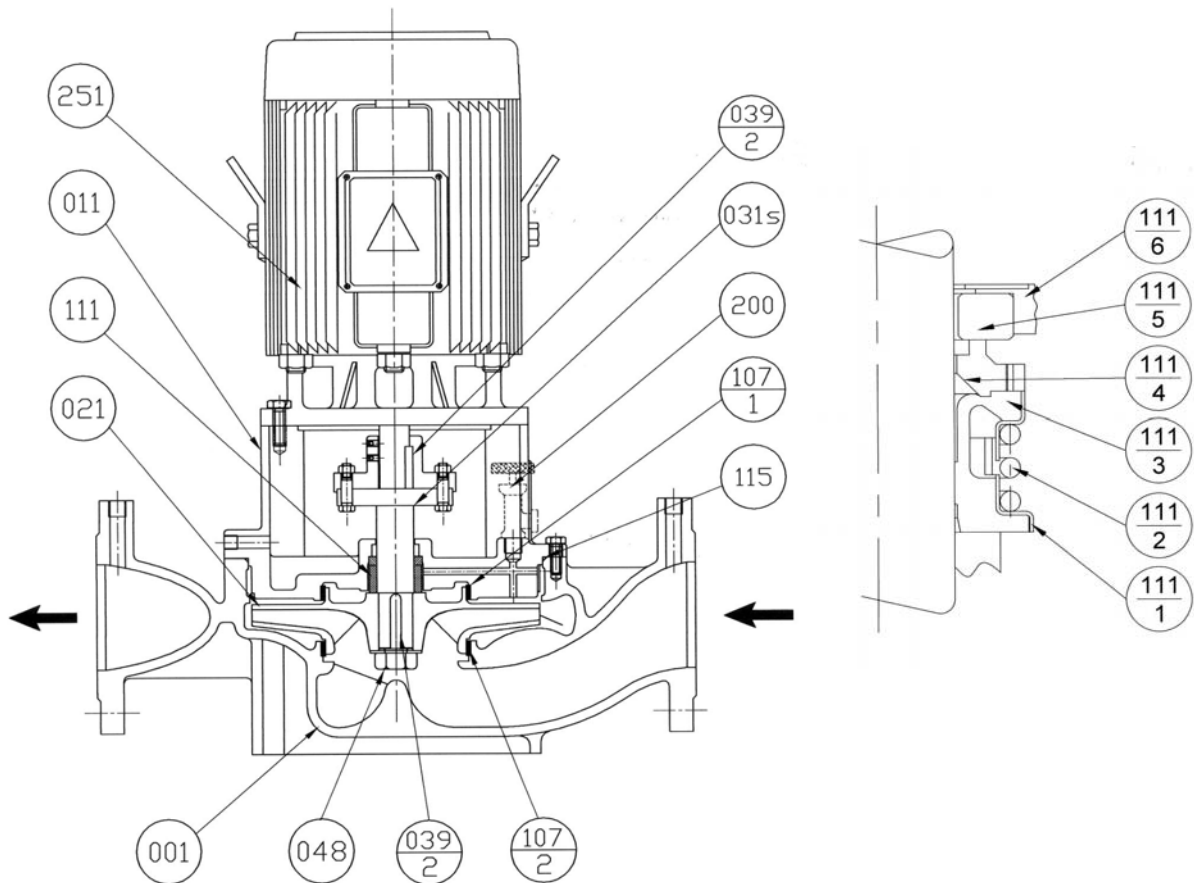
MODEL CODE



SELECTION CHART



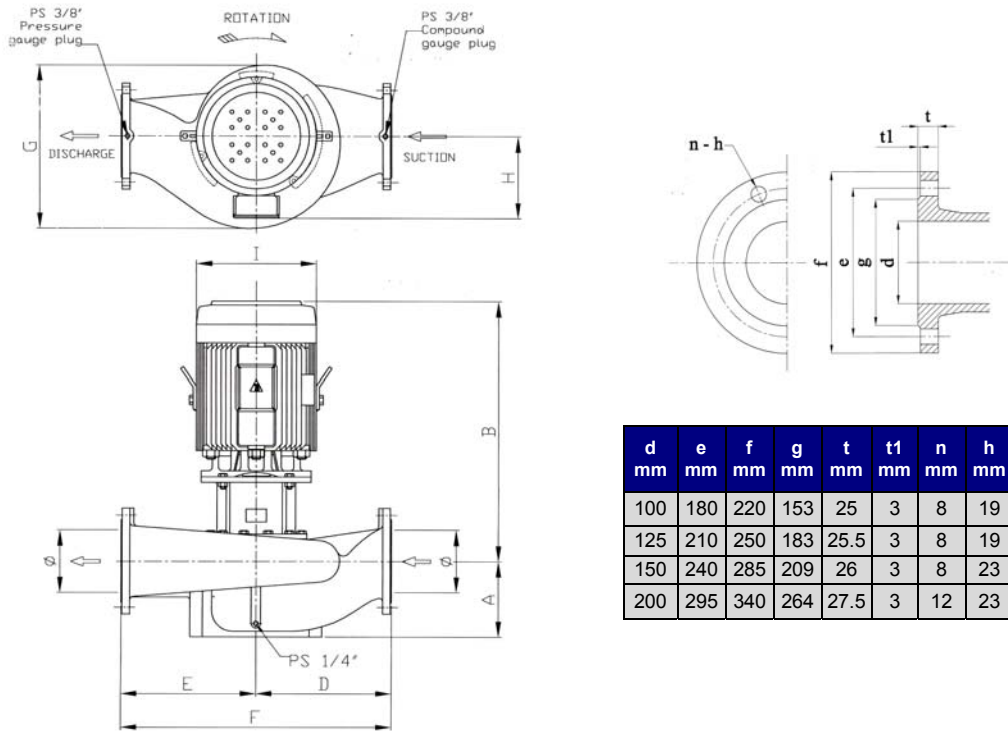
SECTIONAL VIEW



251	Electric Motor	-	1
200	Air Vent Valve	-	1
115	"O" Ring	NBR	1
111	Mechanical Seal	-	1
107	Liner Ring	BC 6	2
048	Impeller Nut	BRASS	1
039-2	Key	SUS 316	1
039-1	Key	S35C	1
031	Stub Shaft	SUS 304	1
021	Impeller	BC 6	1
011	Casing Bracket	FC 250	1
001	Casing	FC 250	1
Part No.	Part Name	Material	Qty

111-6	Cup Gasket	NBR	1
111-5	Mating Ring	Ceramic	1
111-4	Seal Ring	Carbon	1
111-3	Bellows	NBR	1
111-2	Spring	Stainless	1
111-1	Spring Holder	Steel	1
Part No.	Part Name	Material	Qty

DIMENSIONS



d mm	e mm	f mm	g mm	t mm	t1 mm	n mm	h mm
100	180	220	153	25	3	8	19
125	210	250	183	25.5	3	8	19
150	240	285	209	26	3	8	23
200	295	340	264	27.5	3	12	23

Unit: mm

SIZE (mm)	Model	Output (kW)	Frame Size	A	B	D	E	F	G	H	I	Weight kg				
100	100 LPD4GA	1.5	90L	130	507.5	235	235	470	282	170	200	70				
		2.2	100L		526.5					180	219	80				
	100 LPD4HA	2.2	100L	130	494.5	265	265	530	307	180	219	93				
		3.7	112M		551					189	238	104				
	100 LPD4JA	3.7	112M	130	551	280	280	560	353	189	238	120				
5.5		132S	580		224					273	138					
125	125 LPD4GCA	2.2	100L	160	494.5	240	240	480	282	180	219	82				
		3.7	112M		551					189	238	93				
	125 LPD4HCA	5.5	132S	160	574	265	265	530	307	224	273	126				
		7.5	132M		612					224	273	140				
	125 LPD4JCA	5.5	132S	160	574	300	300	600	424	224	273	197				
		7.5	132M		612					224	273	212				
		11	160M		734					263	334	250				
	125 LPD4KA	15	160L	160	777	350	350	700	465	263	334	274				
		18.5	180MC		797					305	382	314				
	125 LPD4LA	22	180LC	160	870	400	400	800	517	305	382	407				
30		200LC	966		374					420	480					
150	150 LPD4HA	7.5	132M	200	632	350	350	700	429	224	273	193				
		11	160M		753					263	334	230				
		15	160L		797					263	334	248				
	150 LPD4JA	15	160L	200	777	400	400	800	473.5	263	334	268				
		18.5	180MC		797					305	382	308				
	150 LPD4KA	22	180LC	200	835	400	400	800	531	305	382	340				
		30	200LC		966					374	420	457				
	150 LPD4LA	37	225SC	200	1054	400	400	800	580	427	458	506				
		45	225MC		1073					427	458	580				
		55	250SC		828.5					493	510	705				
75		250MC	866.5		493					510	780					
5.5		132S	230		574					430	430	860	473.5	224	273	216
7.5	132M	612		224	273	230										
11	160M	733		263	334	269										
200 LPD4JA	15	160L		245	812	430	430	860	523					263	334	328
	18.5	180MC			832									305	382	368
	22	180LC			870									305	380	400
200 LPD4KA	30	200LC		240	966	450	450	900	567					374	420	474
	37	225SC			1011									427	458	553
200 LPD4LA	45	225MC		240	1036	450	450	900	567					427	458	577
	55	250SC			1113.5									493	510	700